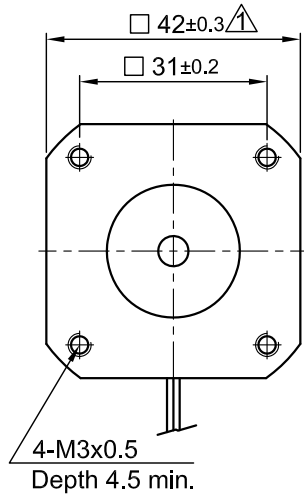
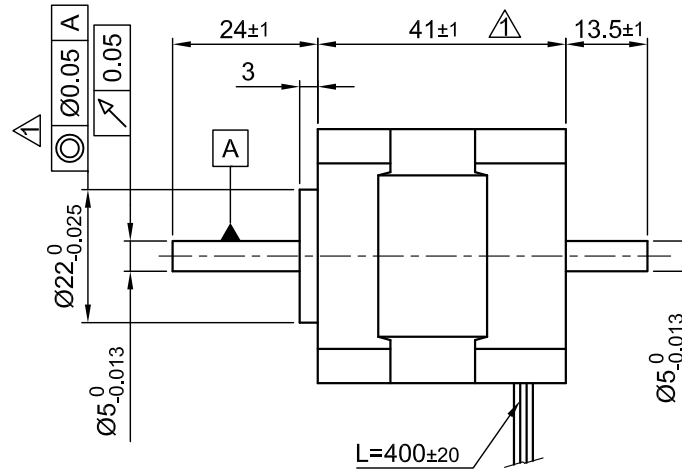


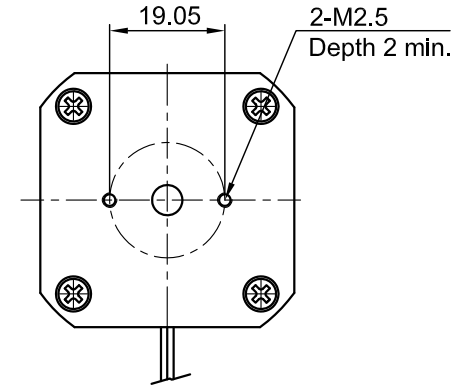
Front view and mounting



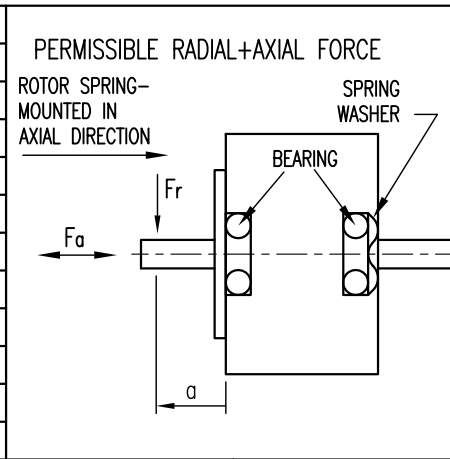
Side view



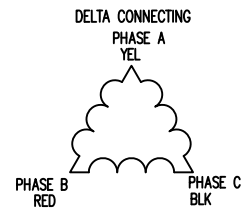
Rear view



SPECIFICATION	CONNECTION	DELTA
NO. OF POL./PHASE		8/3
VOLTAGE RATED (VDC)		17
CURRENT NO LOAD/RATED/PEAK (AMP)		0.6/3.57/10.8 Δ
RESISTANCE/PHASE TO PHASE (Ohms) @25°C		0.19±10% Δ
INDUCTANCE/PHASE TO PHASE (mH) @1KHz		0.245±20% Δ
TORQUE RATED/PEAK (Nm) [lb-in]		0.05/0.15 [0.443/1.328]
TORQUE CONSTANT (Nm/A)		0.014 Δ Δ
POWER RATED (W)		42 Δ
SPEED RATED/NO LOAD (RPM) Δ		8000/12000
ROTOR INERTIA (Kg-m ²) [lb-in ²]		2.4x10 ⁻⁶ [8.2x10 ⁻³]
WEIGHT (Kg) [lb]		0.25 [0.551]



WIRING DIAGRAM								LEAD GAUGE	
	COLOR	FUNCTION	Dir. \longleftrightarrow						
MOTOR 8 POL.	YEL	U	X	HI	HI	X	LOW	LOW	Δ UL1430 AWC20
	RED	V	HI	X	LOW	LOW	X	HI	
	BLK	W	LOW	LOW	X	HI	HI	X	
HALL 24 IMPL. REV.	RED	+5V							Δ UL1430 AWC26
	BLU	H1	0	0	0	1	1	1	
	WHT	H2	0	1	1	1	0	0	
	GRN	H3	1	1	0	0	0	1	
	BLK	GND							



TEMPERATURE RISE: MAX.80°C	AXIAL-FORCE Fa (N)	Fa=10	
AMBIENT TEMPERATURE -10°~ 50°C [14°F ~ 122°F]	DISTANCE a (mm)	20	
INSULATION RESISTANCE 100 MOhm (UNDER NORMAL TEMPERATURE AND HUMIDITY)	RADIAL-FORCE Fr (N)	28	
INSULATION CLASS B 130° [266°F]		AXIAL	RADIAL
DIELECTRIC STRENGTH 500VAC FOR 1 MIN. (BETWEEN THE MOTOR COILS AND THE MOTOR CASE)	SHAFT PLAY (mm)	0.08	0.02
AMBIENT HUMIDITY MAX. 85% (NO CONDENSATION)	AT LOAD MAX: (N)	4.5	4.5

6	CHANGE POWER RATED	16.06.15	A.S.
5	UPDT. DATA	24.10.14	J.D.
4	NEW VALUE	14.5.13	A.S.
REV	DESCRIPTION	DATE	DRN



DB42S02

SCALE FREE	APVD	S.Ha.	19.06.07
X ±0.5	CHKD		
1PL ±0.2	DRN	J.W.	10.11.06
2PL ±0.1	SIGNATURE	DATE	
ANGLE ±30'			

BRUSHLESS DC MOTOR

DWG.NO

DB42S02